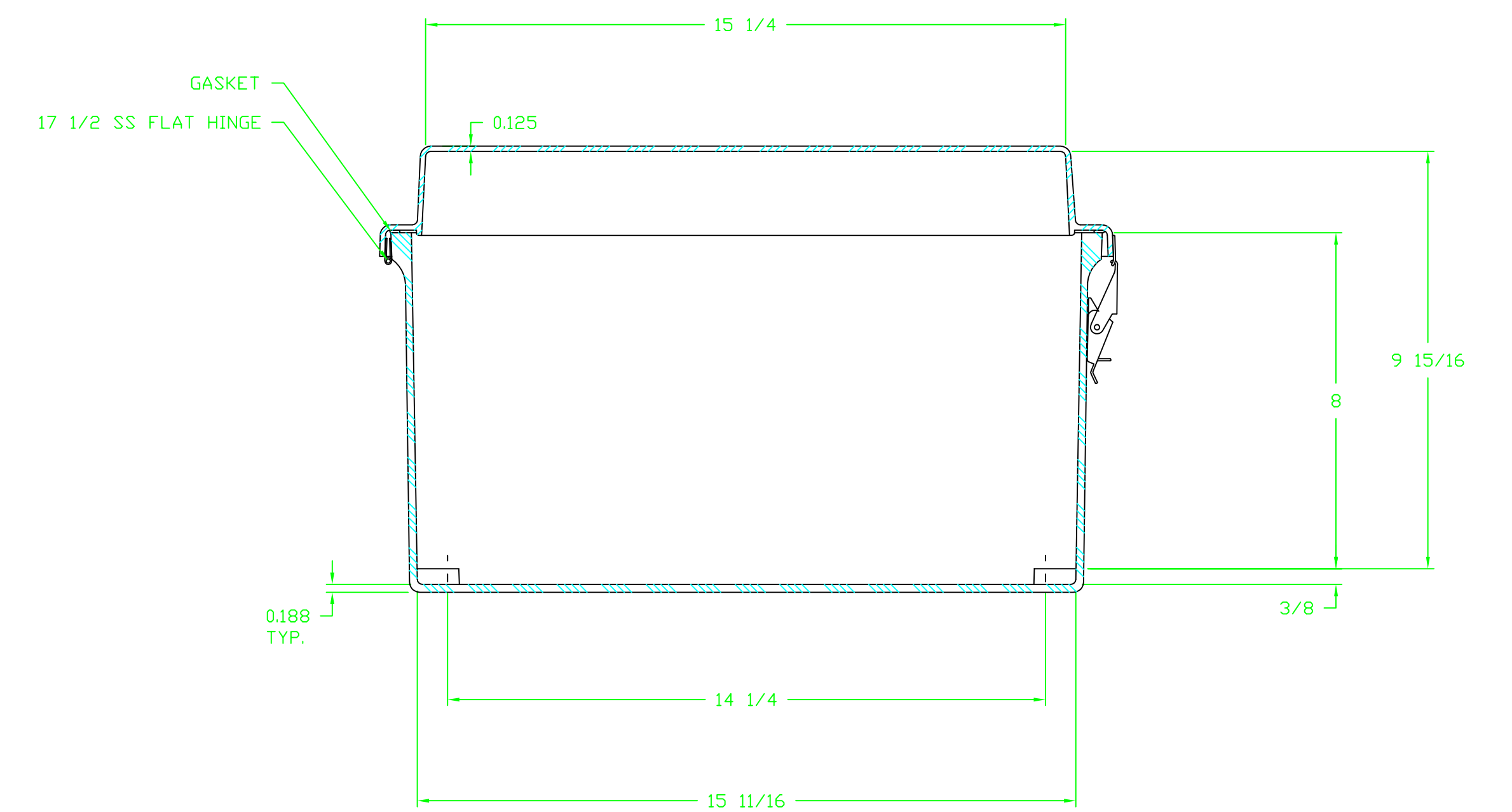
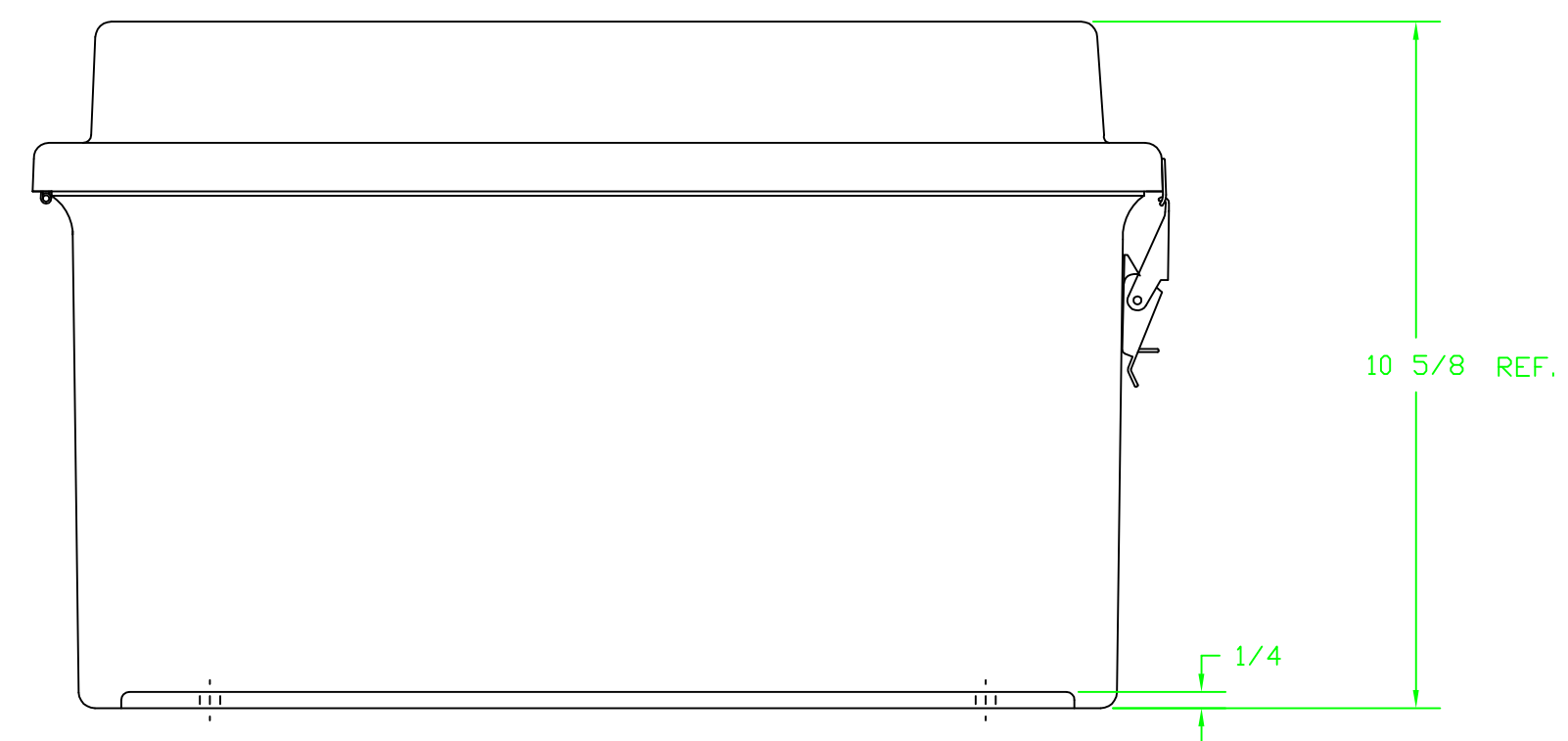


SECTION B-B



SECTION A-A

NOTES:

NEMA 4X		TOLERANCES UNLESS SPECIFIED		DECIMAL ±.010	FRACTIONAL ± 1/32
MATERIAL COLOR GLACIER GRAY RR1013					
DR. BY SH		DATE 5/8/91			
CHK. BY		DATE			
REVISION RECORD		DATE BY CHD.		BELDING, MICHIGAN 48809	
APD. BY		DATE		CUSTOMER	
SCALE DO NOT SCALE		PART NAME ENCLOSURE		PART NO. RJ1816HPL	

AutoCAD DWG FILE RJ1816HPL